

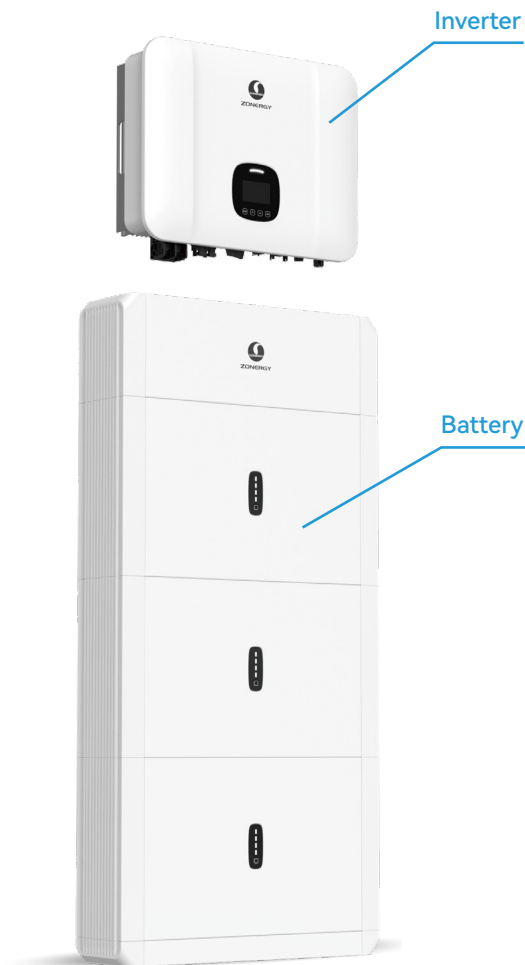
Panda

Residential Single-phase Energy Storage System Panda Series

Panda 3680S~6000S-5HP~30HP



ZONERGY



Inverter

Battery



The 5 kWh module adopted enables variable capacity range of 5-30 kWh.



The switching time between on-off grid less than 10 ms secures Uninterruptable Power Supply for the load.



The Lithium Iron Phosphate (LFP) cell secures safe and reliable operation.



The automatic isolation of the faulty battery module secures smooth system operation.



The APP-based remote monitoring offers easy maintenance and unlimited function expansion.



The built-in Smart Grid Management module enables power grid dispatching.



The Degree of Protection at IP66 makes it suitable for various harsh environments for application.

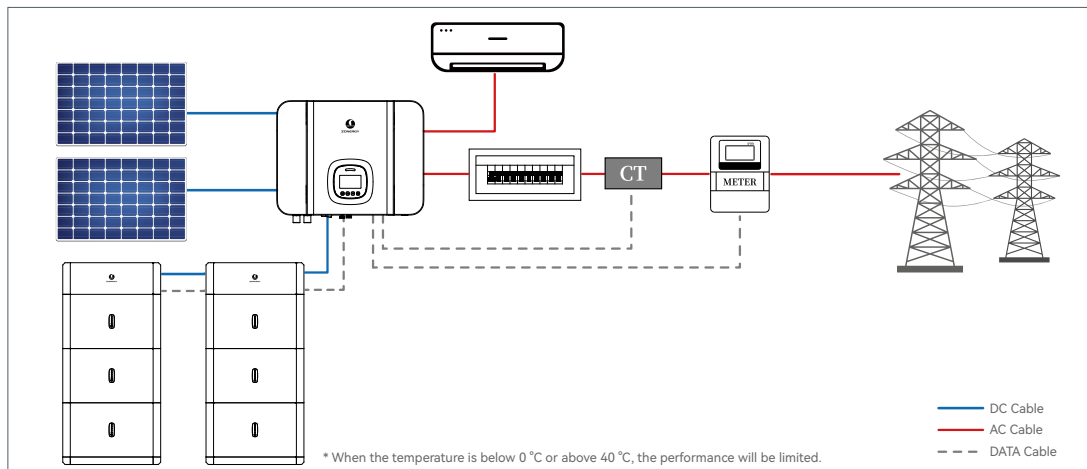
Panda 3680S~6000S-5HP~30HP Technical parameters

Technical parameters:	Panda 3680S-5HP Panda 4000S-5HP Panda 4600S-5HP Panda 5000S-5HP Panda 6000S-5HP	Panda 3680S-10HP Panda 4000S-10HP Panda 4600S-10HP Panda 5000S-10HP Panda 6000S-10HP	Panda 3680S-15HP Panda 4000S-15HP Panda 4600S-15HP Panda 5000S-15HP Panda 6000S-15HP	Panda 3680S-20HP Panda 4000S-20HP Panda 4600S-20HP Panda 5000S-20HP Panda 6000S-20HP	Panda 3680S-25HP Panda 4000S-25HP Panda 4600S-25HP Panda 5000S-25HP Panda 6000S-25HP	Panda 3680S-30HP Panda 4000S-30HP Panda 4600S-30HP Panda 5000S-30HP Panda 6000S-30HP
System Configuration						

System Specification	
Nominal Output Power	3680 W / 4000 W / 4600 W / 5000 W / 6000 W
Capacity Range	5.12~30.72 kWh
Usable Capacity Range	4.6~27.65 kWh
Battery Chemistry	LFP (LiFePO4)
IP Protection	IP66 (Outdoor)
Warranty	5 Year Product Warranty, 10 Year Performance Warranty

Inverter Technical Specification	
Model	Venus 3680-S1 / Venus 4000-S1 / Venus 4600-S1 / Venus 5000-S1 / Venus 6000-S1
Phase	Single Phase
Max. PV Input Voltage	600 V
MPPT Voltage Range	100 V~550 V
Max. PV Input Current	16 A / 16 A
Max. PV Input Power	8000 W / 9000 W / 9000 W / 9000 W / 9000 W
Max. MPPT Short-circuit Current	20 A / 20 A
Number of Independent MPPT	2
Start-up Voltage Range	120 V
Max. Charging/Discharging Current	100 A
Max. Charging/Discharging Power	5000 W
Nominal Output Voltage on Grid	220 V, 230 V, 240 V (comply with local regulations)
Output Voltage Range on Grid	180 ~ 276 V
Rated Grid Output Frequency on Grid	50 Hz/60 Hz
Max.AC output Power	3680 W / 4000 W / 4600 W / 5000 W / 6000 W
Nominal AC Output Voltage	230 V
Communication	CAN2.0/RS485, Wifi/GPRS(optional)
Display	LCD & APP
Dimension(W*H*D) mm	540 x 450 x185

Battery Technical Specification						
Module Model	Limestone 5H-P	Limestone 10H-P	Limestone 15H-P	Limestone 20H-P	Limestone 25H-P	Limestone 30H-P
Module Capacity	5.12 kWh	10.24 kWh	15.35 kWh	20.48 kWh	25.64 kWh	30.72 kWh
Usable Capacity	4.6 kWh	9.21 kWh	13.81 kWh	18.43 kWh	23.04 kWh	27.65 kWh
Nominal Voltage	51.2 V					
Max. Charging/Discharging Power	2.5 kW	5 kW	5 kW	5 kW	5 kW	5 kW
Operating Temperature Range	-20 ~ +50 °C					
Dimension(W*H*D) mm	650 x 620 x 180	650 x 980 x 180	650 x 1340 x 180	650 x 980 x 180 650 x 980 x 180	650 x 1340 x 180 650 x 980 x 180	650 x 1340 x 180 650 x 1340 x 180



Note: Technical parameters listed hereunder are for reference only. Actual parameters shall be subject to products shipped.